



Sink - Meta

Single-lever lavatory mixer with extended shank without drain - polished chrome

Article number: 33 539 660-00 0010

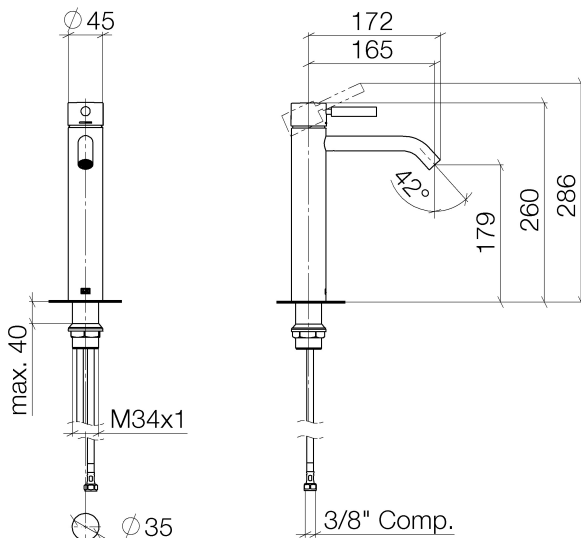


- 6-1/2" Projection
- Rigid spout
- Round aerated stream
- Total height 10-1/4"
- Height to aerator/spout outlet 7"
- 1-3/8" hole diameter
- 2 x pressure hose with 3/8" compression fitting
- Water flow rate limited to max. 1.2 gpm
- lead-free
- (ADA)
- For combination with vessel sinks.



polished chrome

Dimensional drawing



All dimensions in mm / inch = mm x 0,0394

Model/program/technical modifications and error excepted
For more information see: www.dornbracht.com + 49 (0) 2371 433-460 mail@dornbrachtgroup.de

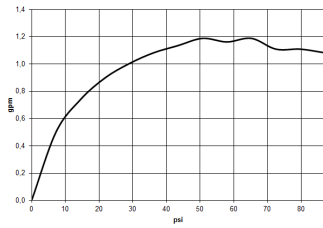


Sink - Meta

Single-lever lavatory mixer with extended shank without drain - polished chrome

Article number: 33 539 660-00 0010

Flow rate chart





Sink - Meta

Single-lever lavatory mixer with extended shank without drain - polished chrome

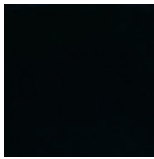
Article number: 33 539 660-00 0010

Other surface finishes



platinum matte

33 539 660-06 0010

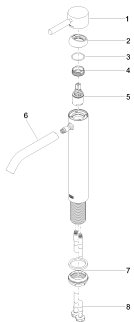


black matte

33 539 660-33 0010

More custom finish options are available via special production (xTra Service). Please see our finish matrix for availability and pricing or contact a Dornbracht representative.

Spare parts list



Number	Item Number	Designation	Number of units
<hr/>			